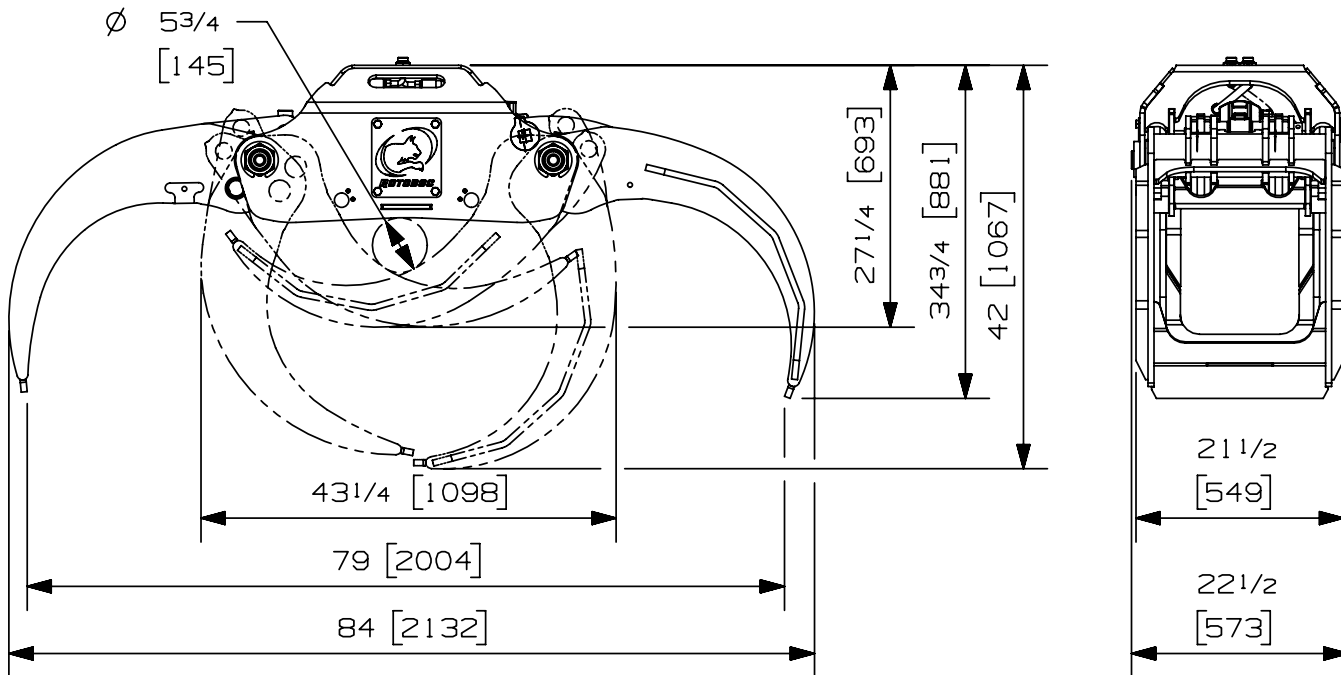


Max load:	n/a lb	n/a kg
Volume:	.28 cord of 8 ft	1.01 m ³
Area tip to tip:	4.52 ft ²	.42 m ²
Rotator lifting capacity:	- lb	- kg
Torque at relief pressure:	- lb-in - psi	- Nm - bars
Weight:	885 lb	401 kg

Rotator	Maximum pressure:	- psi	- bars	Recommended flow:	- gpm	- l/min
Rotator recommended flow will produce a speed of 0 rpm						

Cylinder	Diameter	Recommended pressure	Pressure range	Flow range	Lock valves
Standard	3 1/2 " (89 mm)	3000 psi (207 bars)	2500-3500 psi (172-241 bars)	9-14 gpm (34-53 l/min.)	no

Grapple cylinder maximum flow will theoretically produce a complete grapple open/close cycle in 4 seconds.



Options:

-
-
-
-

web site: www.rotobec.com

email: rotobec@rotobec.com

Rotobec Inc.: Head office serving OEM's and Eastern Canada Ph: (418) 383-3002 Fax: (418) 383-5334
Rotobec West: Branch serving Western Canada and Western USA Ph: (250) 765-1161 Fax: (250) 765-0035
Rotobec USA: Branch serving Eastern and Central USA Ph: (603) 444-2103 Fax: (603) 444-0327

We reserve the right to change specifications and to improve our products without notice or obligation.

07006-4155
16/02/17 D.L.